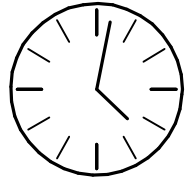
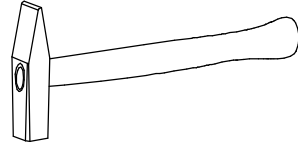
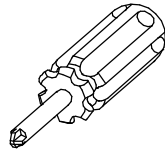
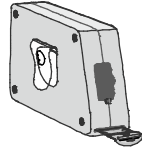
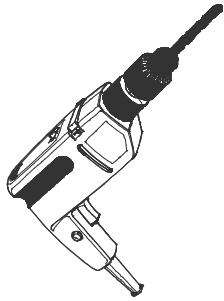
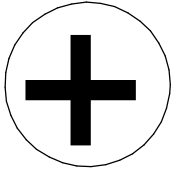
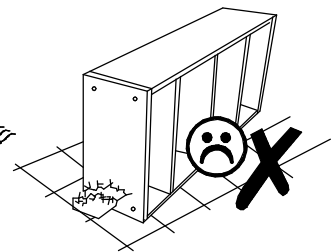
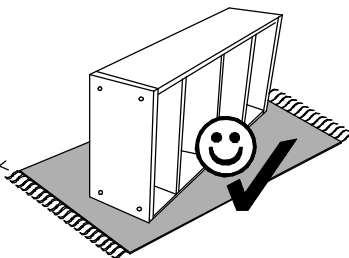
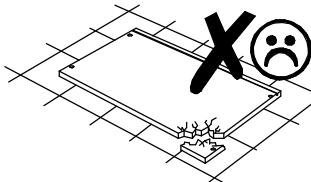
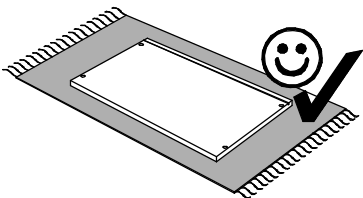
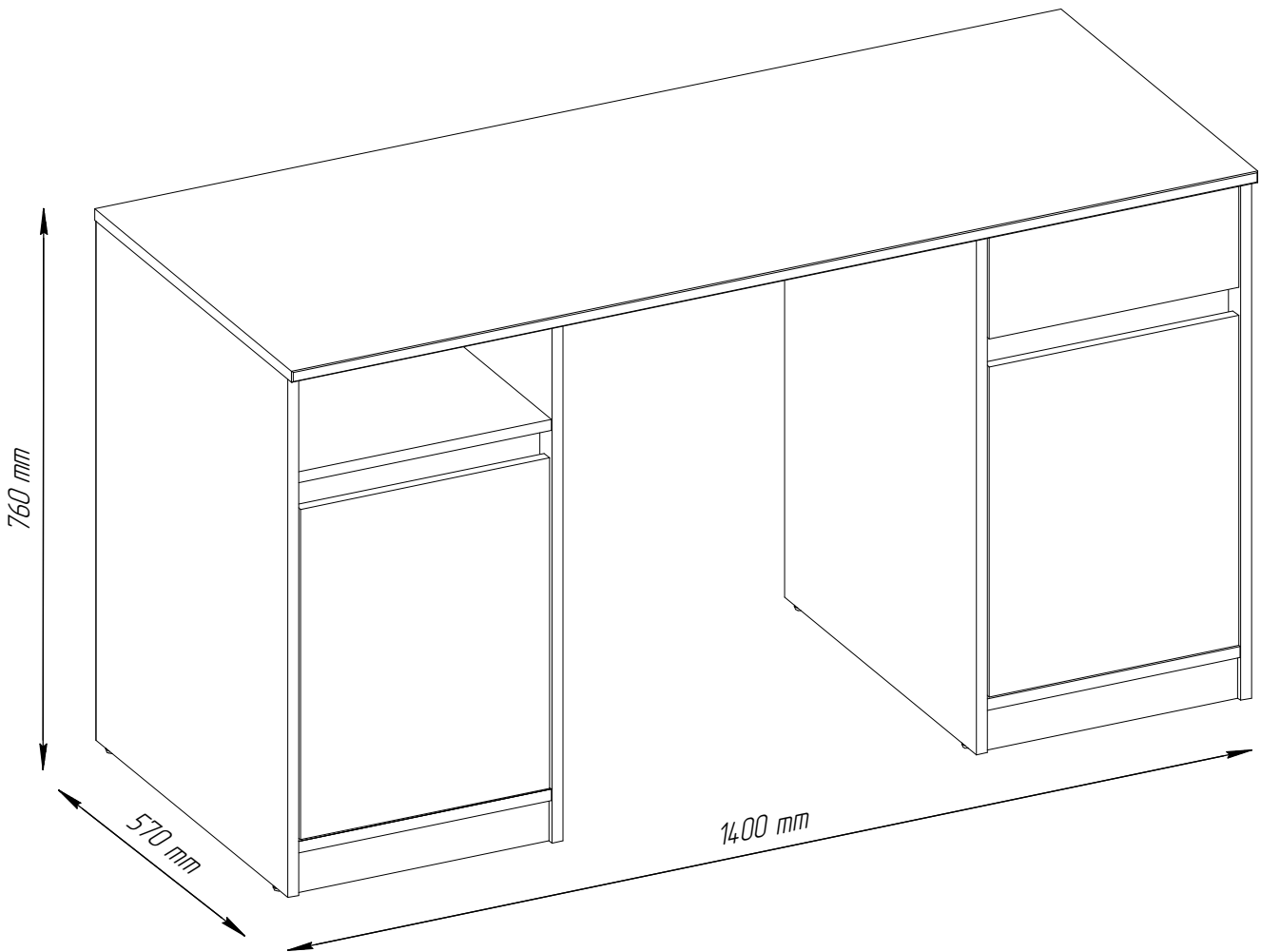
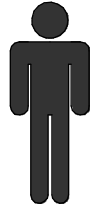
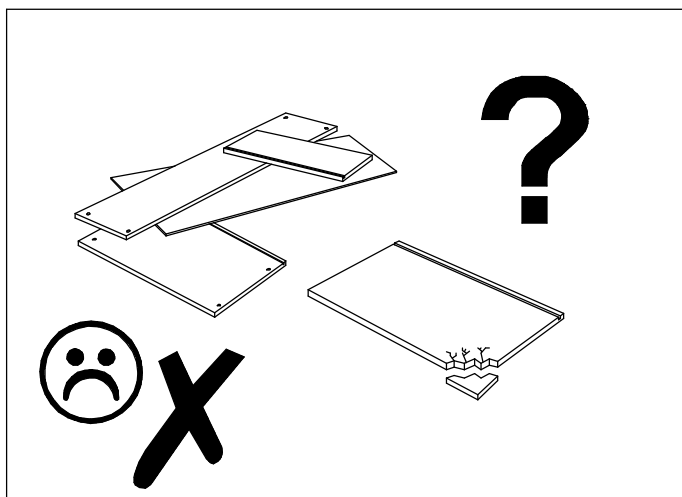
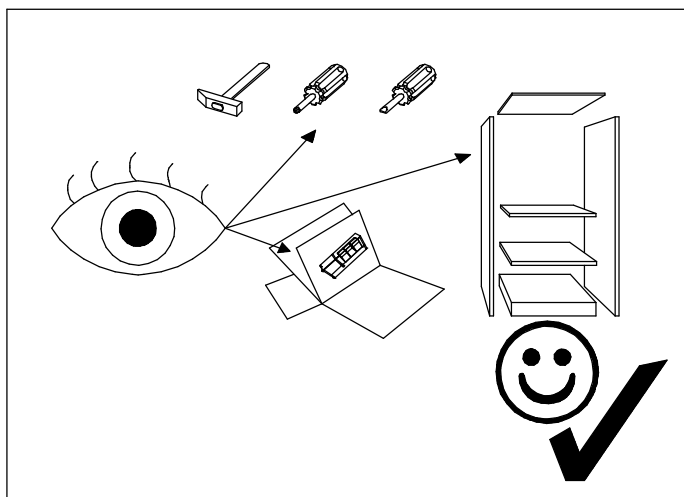
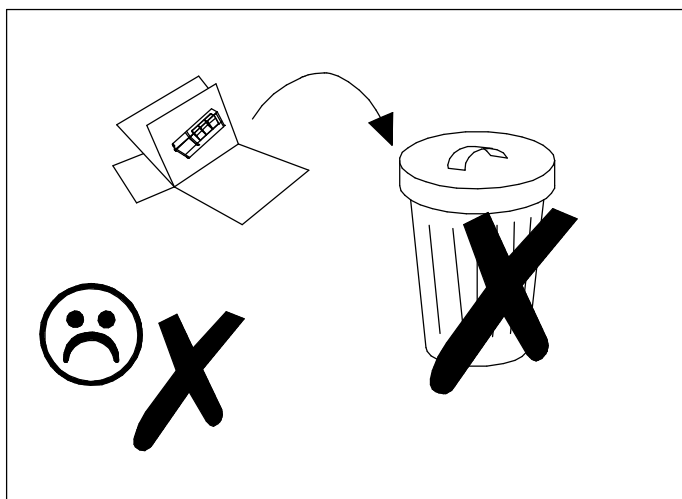
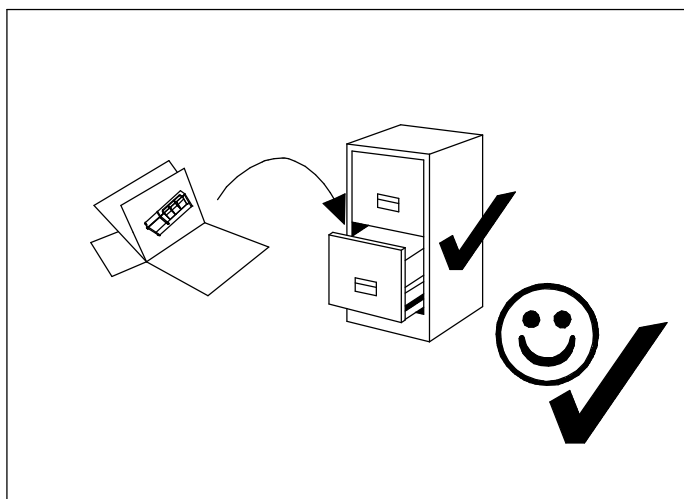


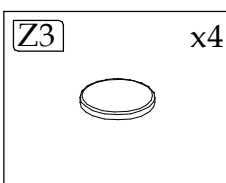
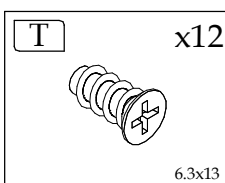
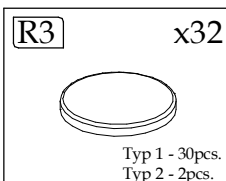
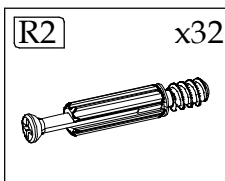
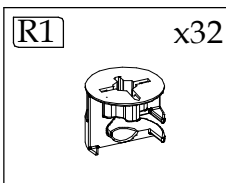
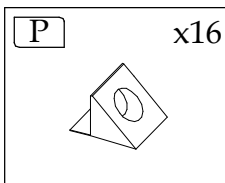
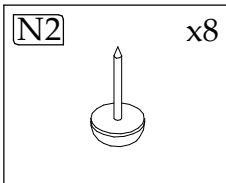
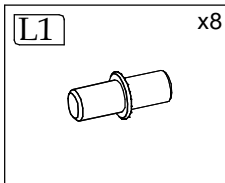
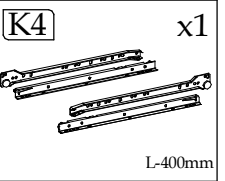
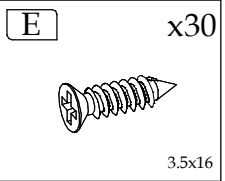
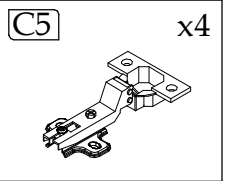
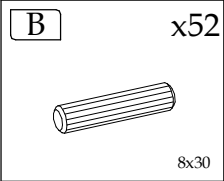
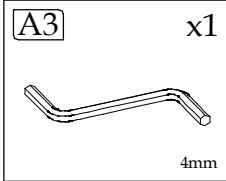
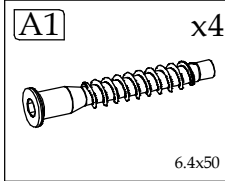
# BILL BIURKO 2D1S



90 min

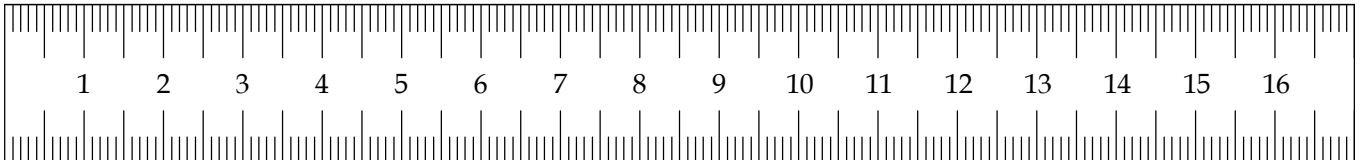
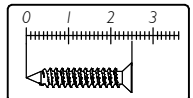
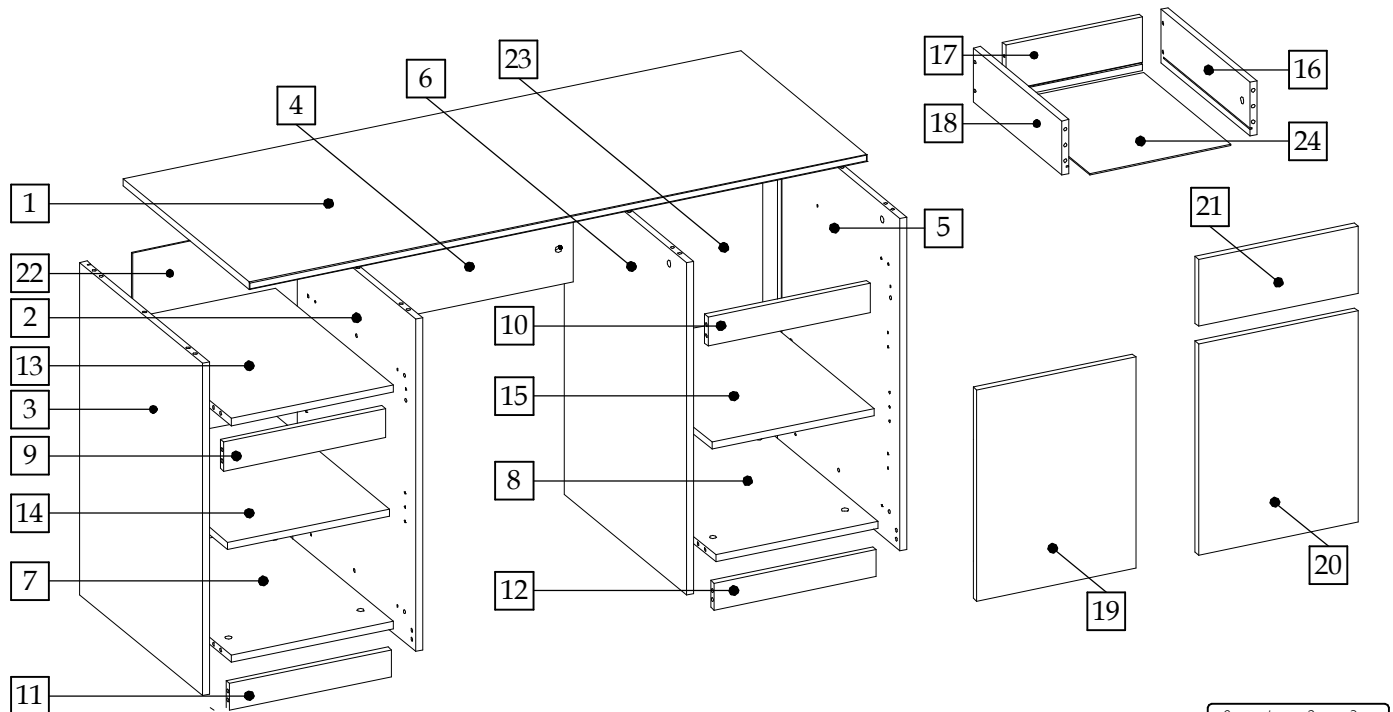
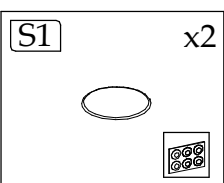


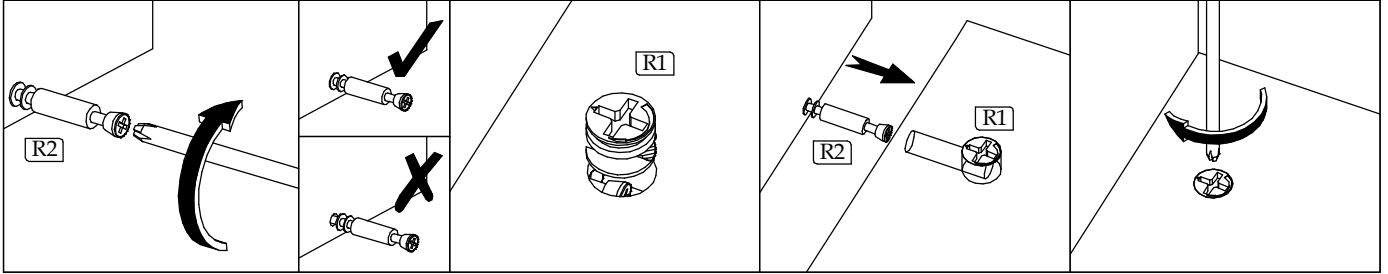




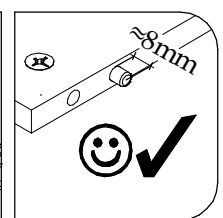
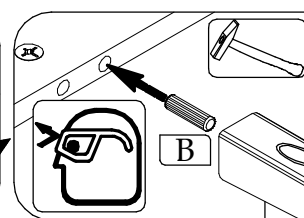
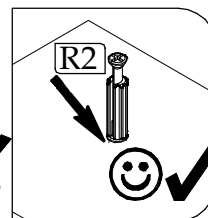
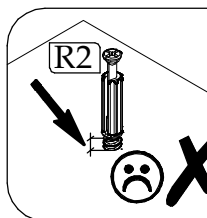
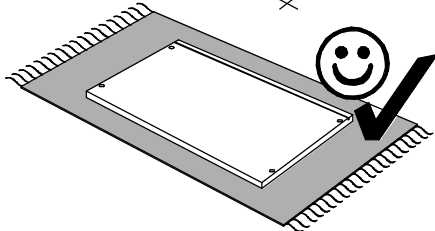
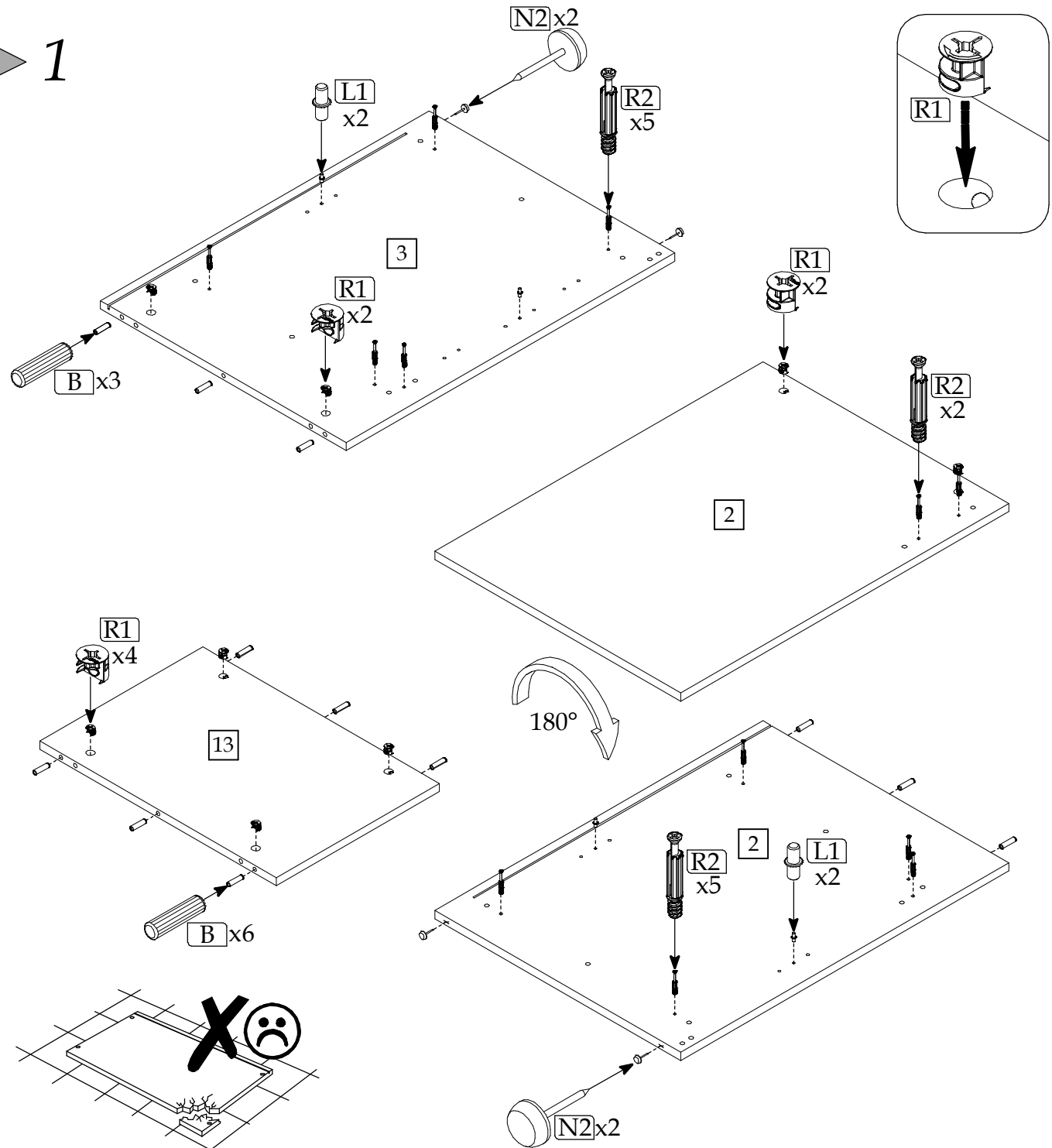
Element symbol	Measurements				Code	Paket
	1	2	3	4		
1	1400	570	16	1	1003	1/2
2	739	553	16	1	1006/2006	2/2
3	739	553	16	1	1007	2/2
4	599	250	16	1	1062	1/2
5	739	553	16	1	1063	2/2
6	739	553	16	1	1064/2064	2/2
7	367	551	16	1	1029	2/2
8	367	551	16	1	1065	2/2
9	367	65	16	1	1032	1/2
10	367	65	16	1	1080	1/2
11	367	60	16	1	1008	1/2
12	367	60	16	1	1066	1/2

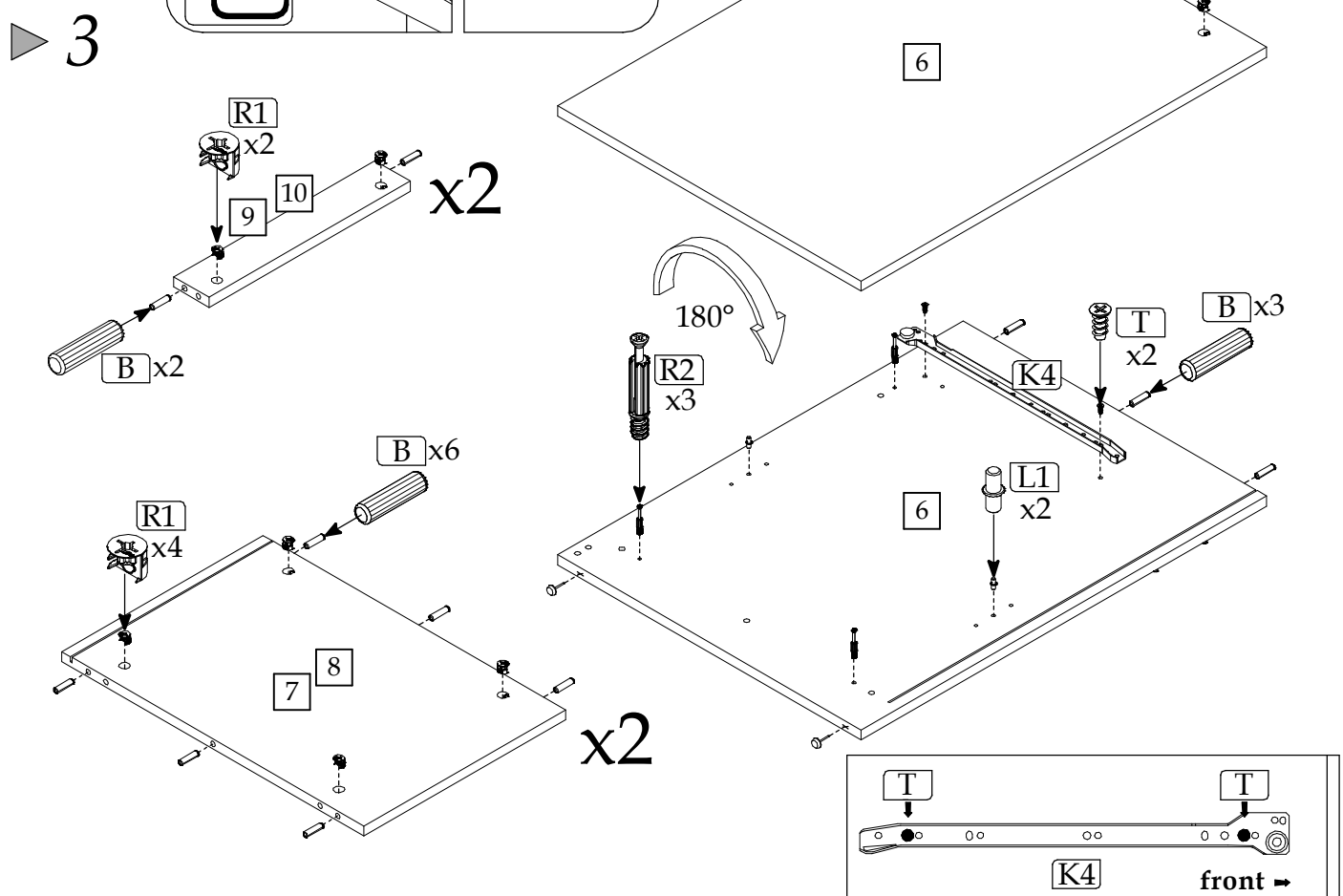
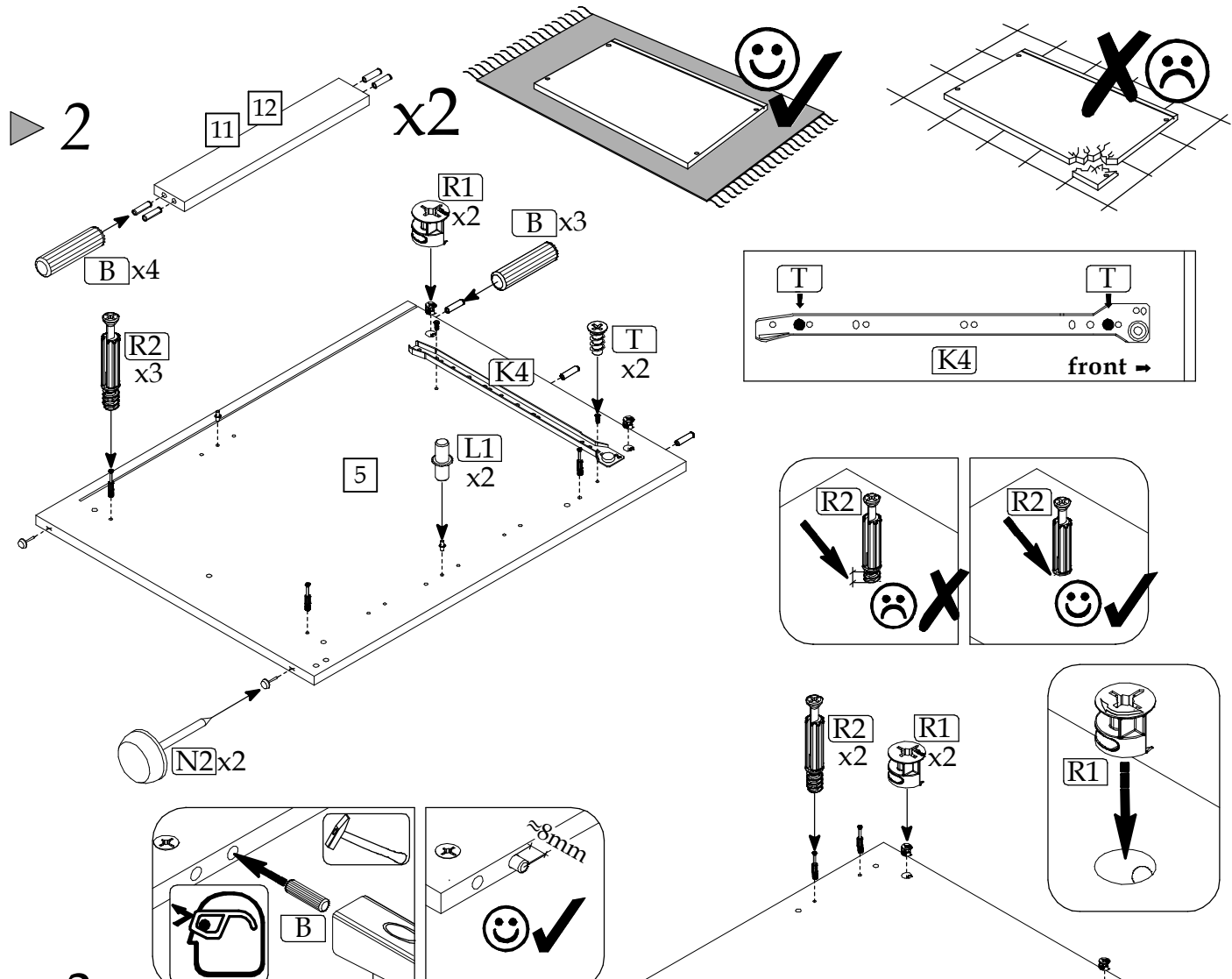
Element symbol	Measurements				Code	Paket
	1	2	3	4		
13	367	532	16	1	1030	1/2
14	367	516	16	1	N/A	1/2
15	367	516	16	1	N/A	1/2
16	400.5	120	16	1	1082	1/2
17	310	119	16	1	1083	1/2
18	400.5	120	16	1	1084	1/2
19	469.5	361	16	1	1031	1/2
20	469.5	361	16	1	1079	1/2
21	361	149	16	1	1081	1/2
22	677	381	3	1	N/A	2/2
23	677	381	3	1	N/A	2/2
24	320	394	3	1	N/A	2/2



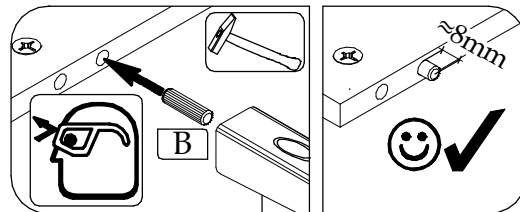
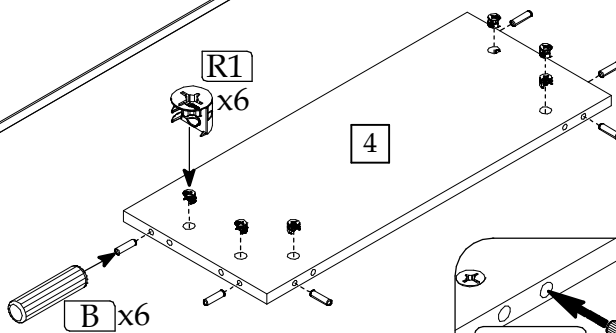
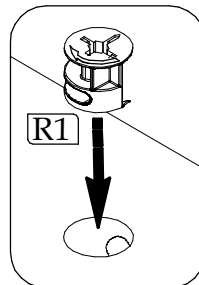
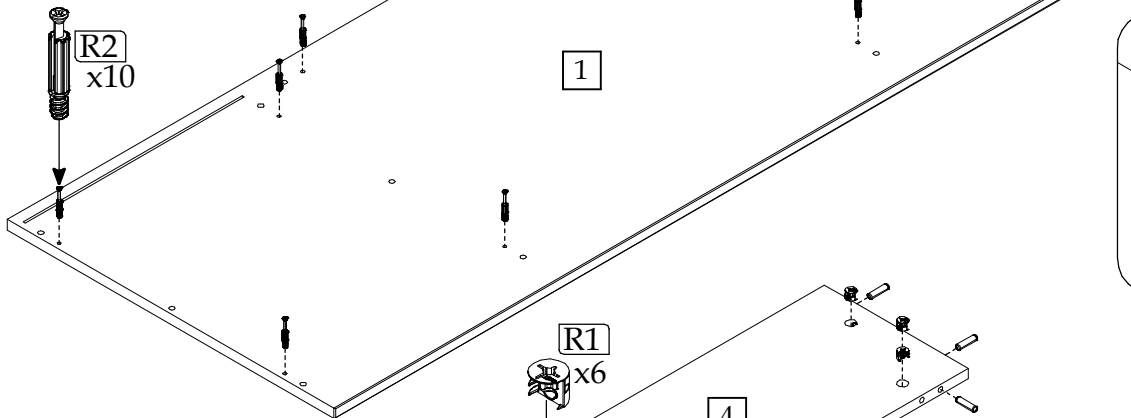
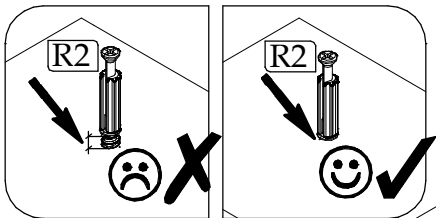


► 1

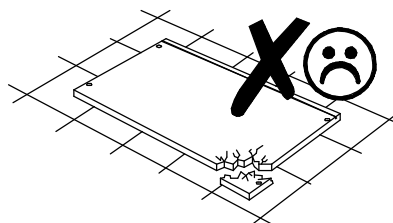
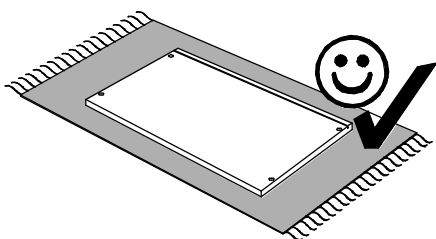
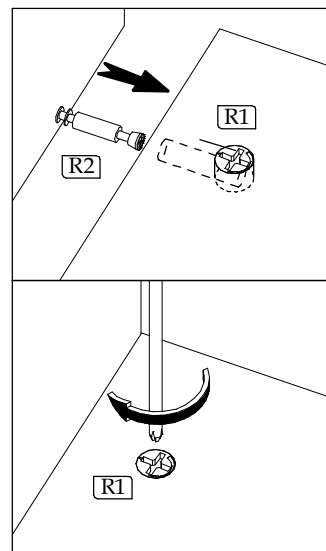
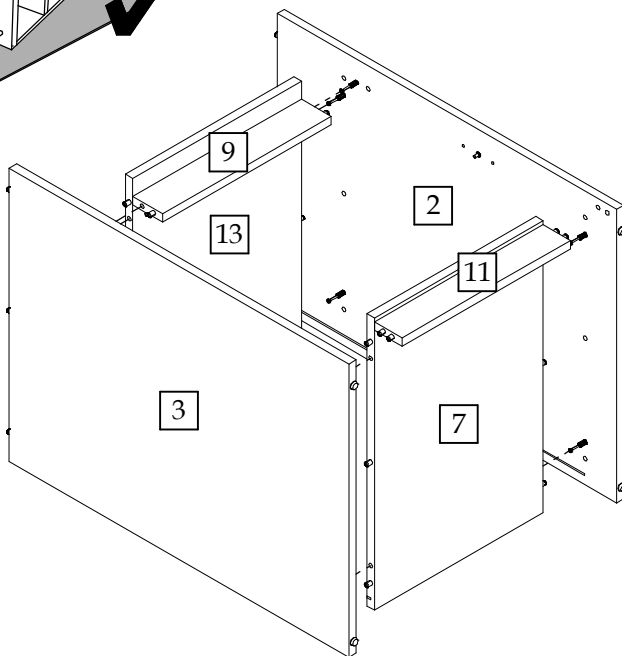
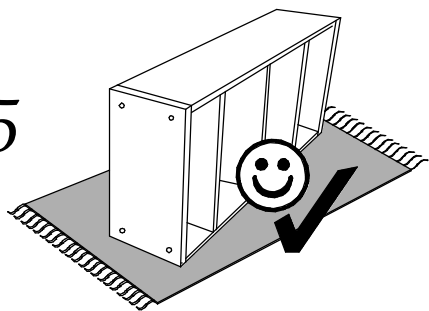




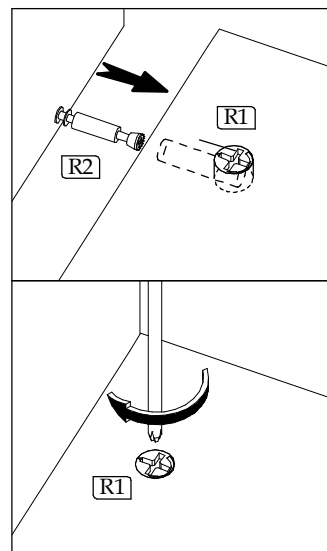
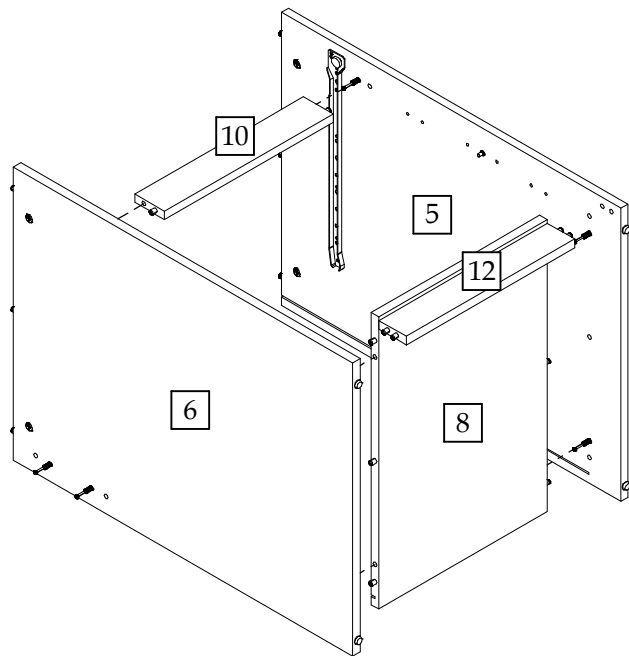
4



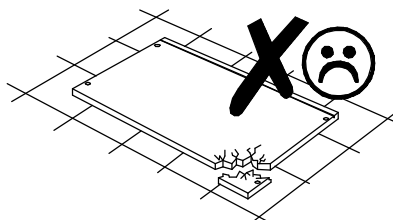
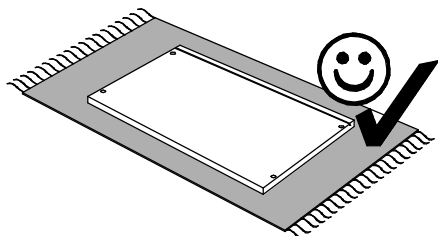
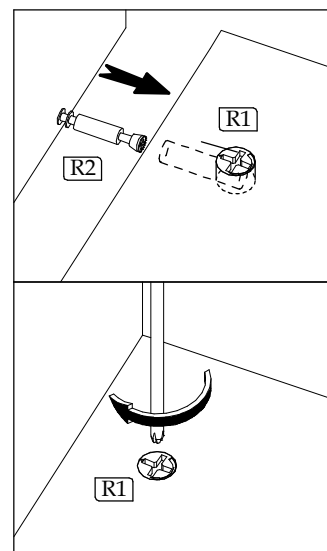
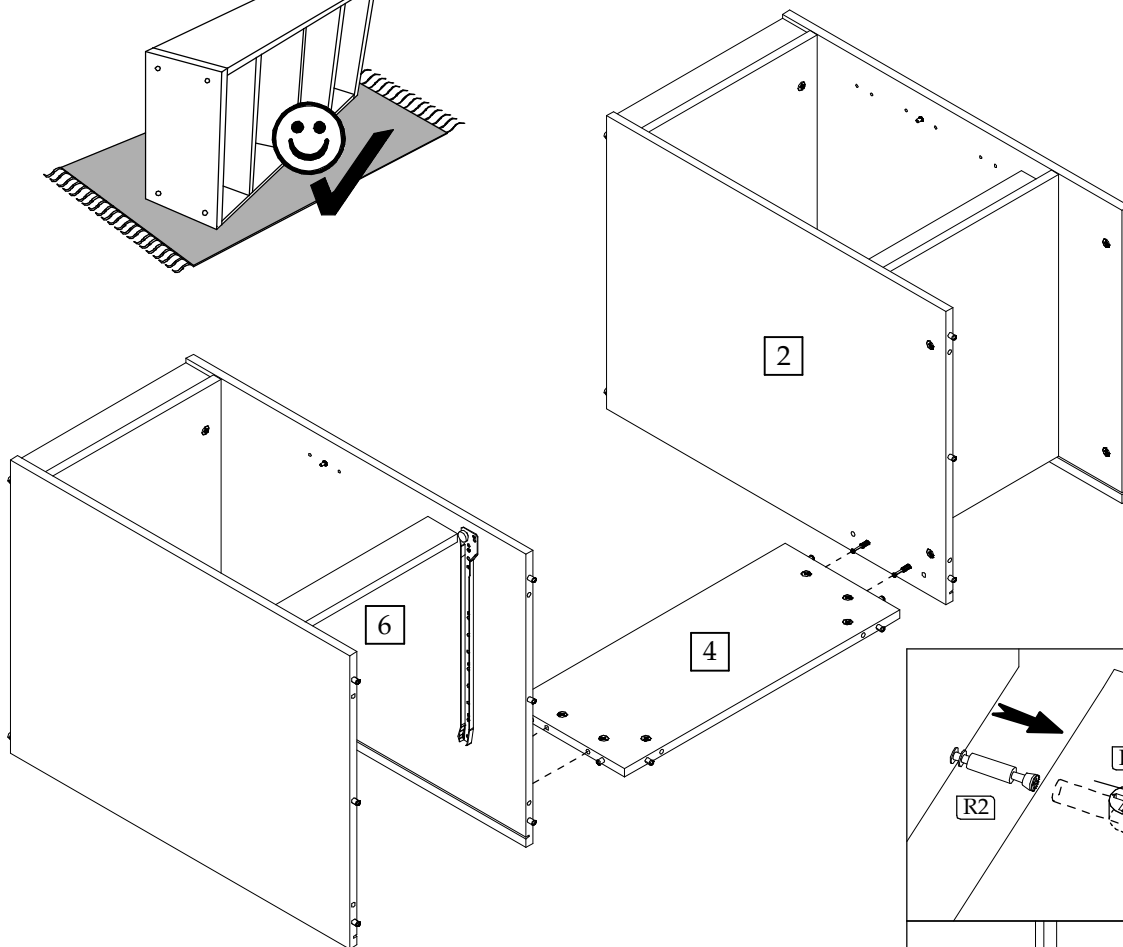
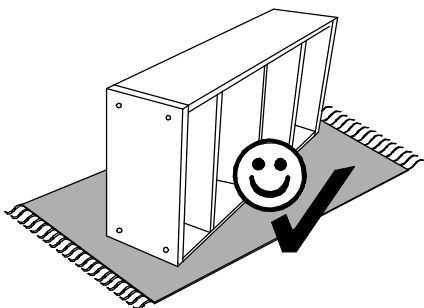
5



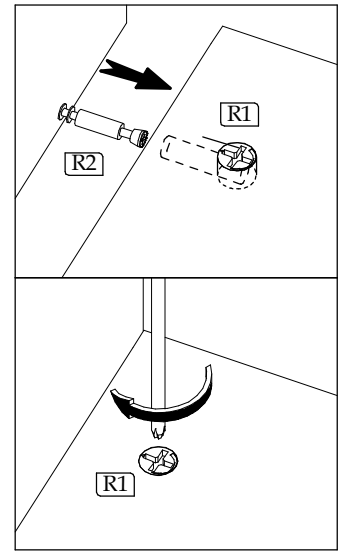
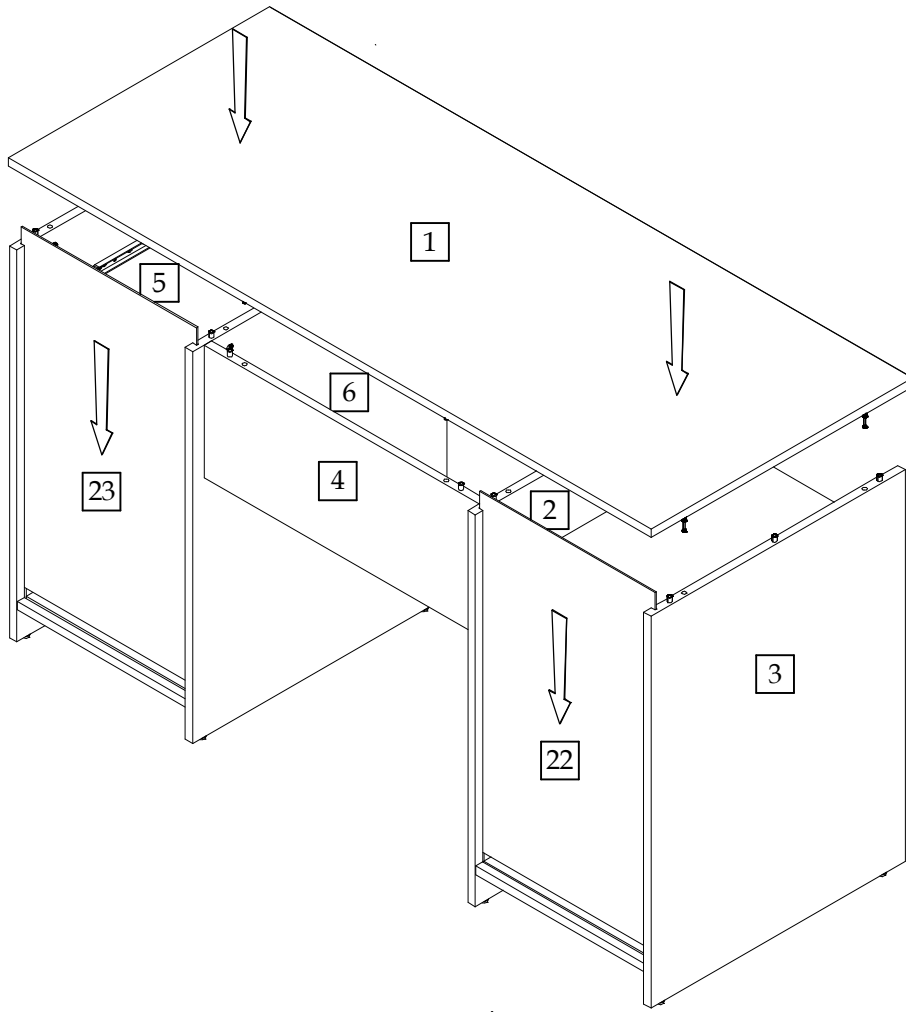
▶ 6



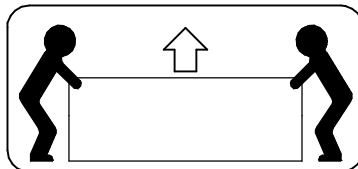
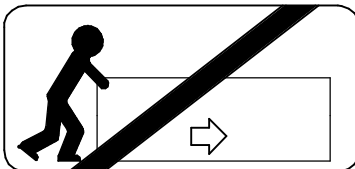
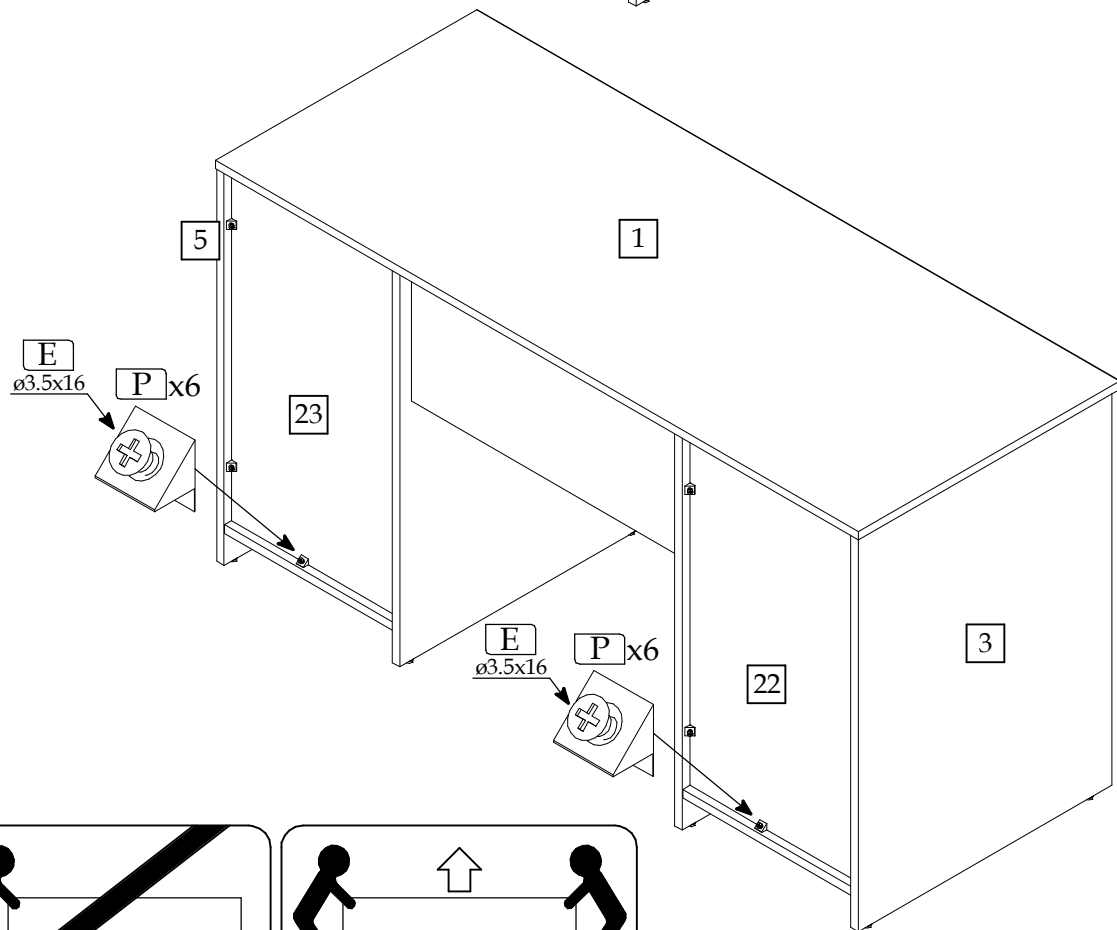
▶ 7



▶ 8

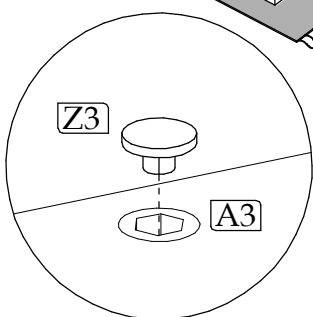
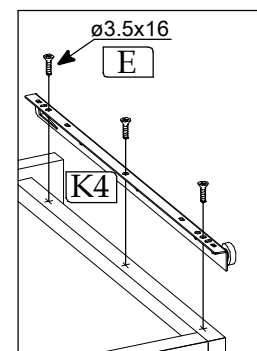
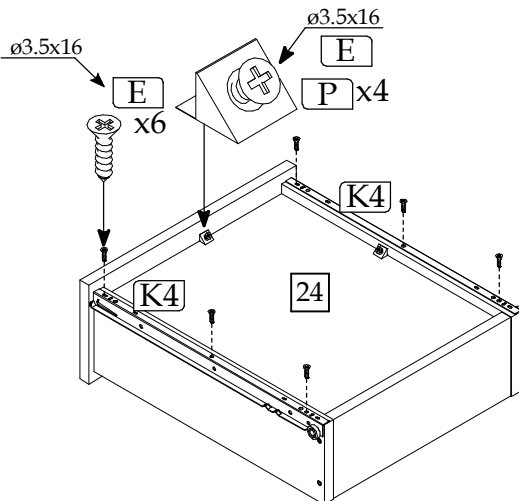
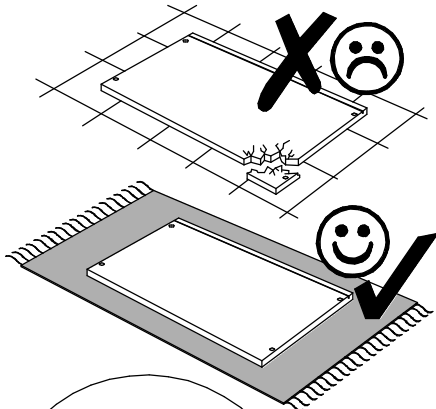
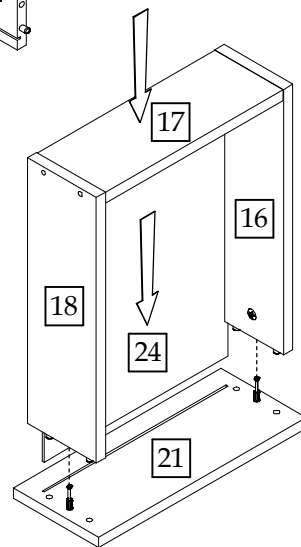
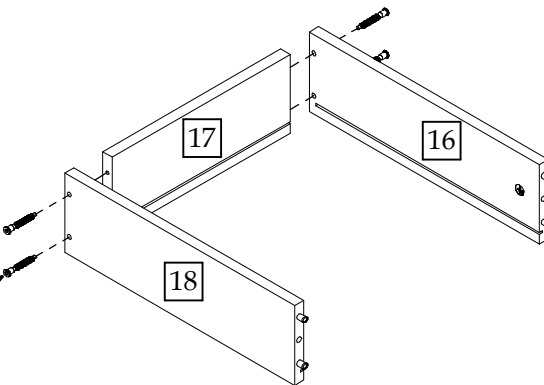
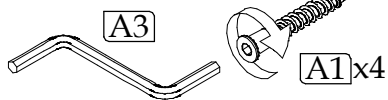
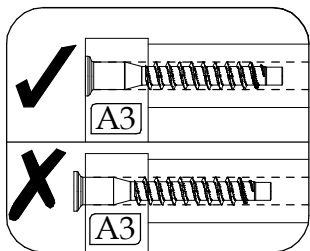
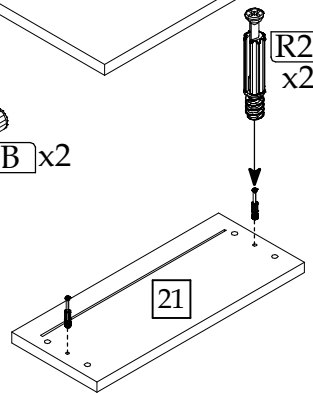
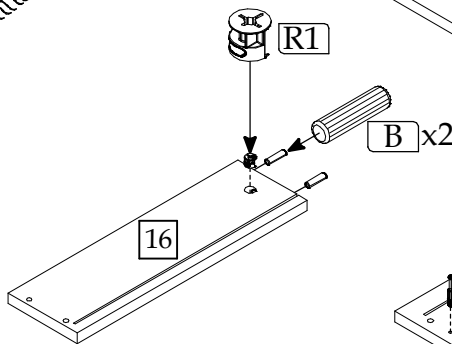
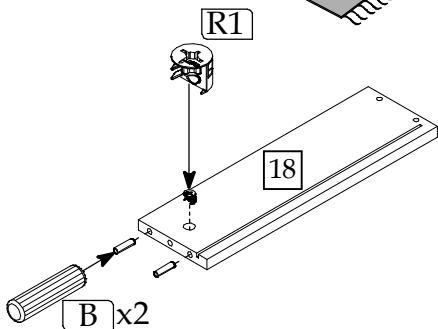
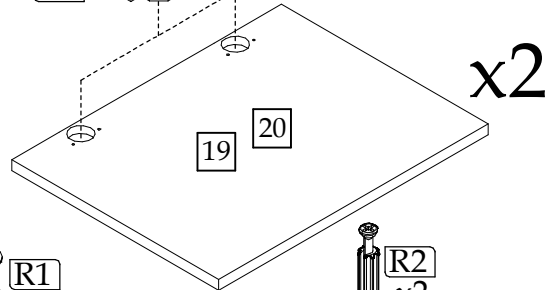
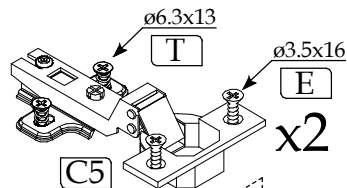
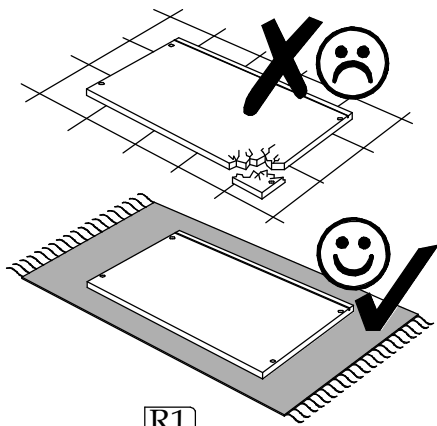


▶ 9

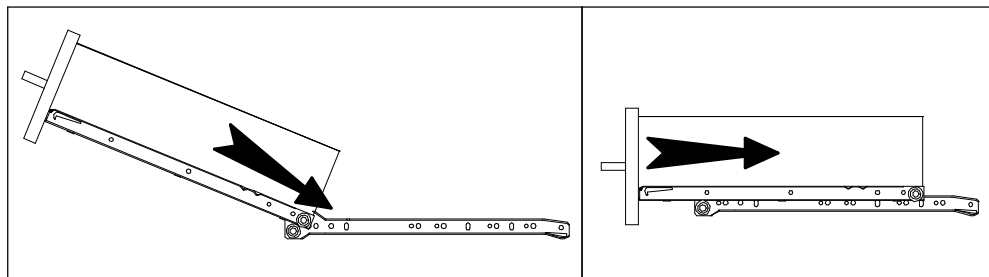
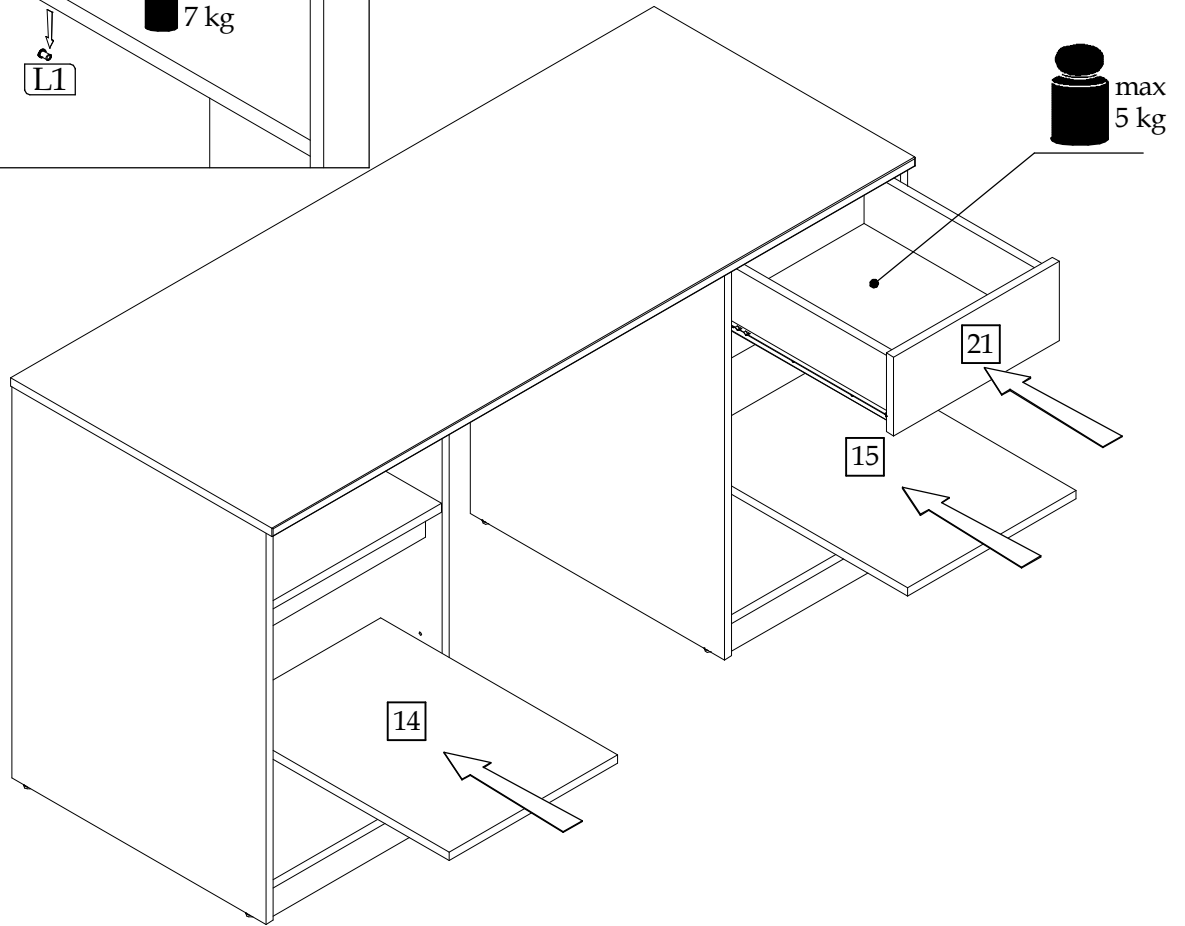
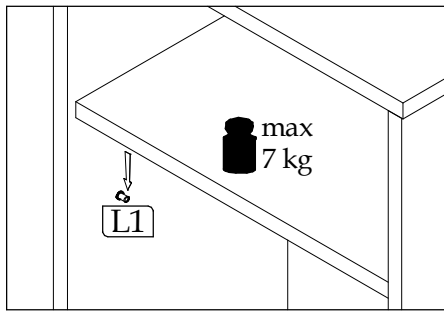




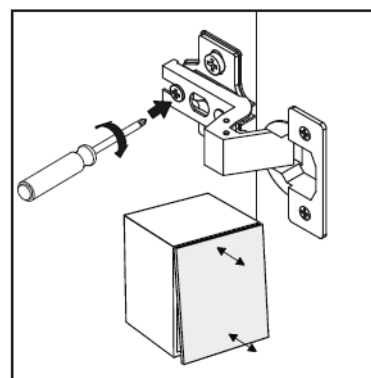
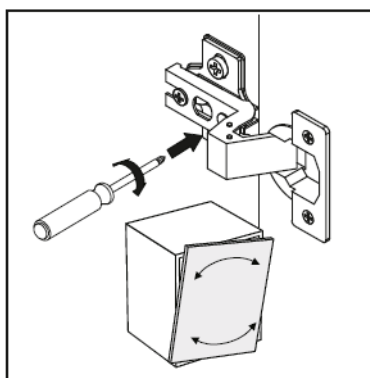
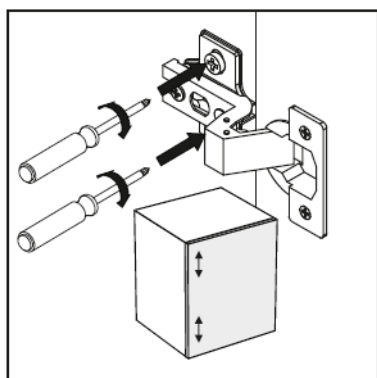
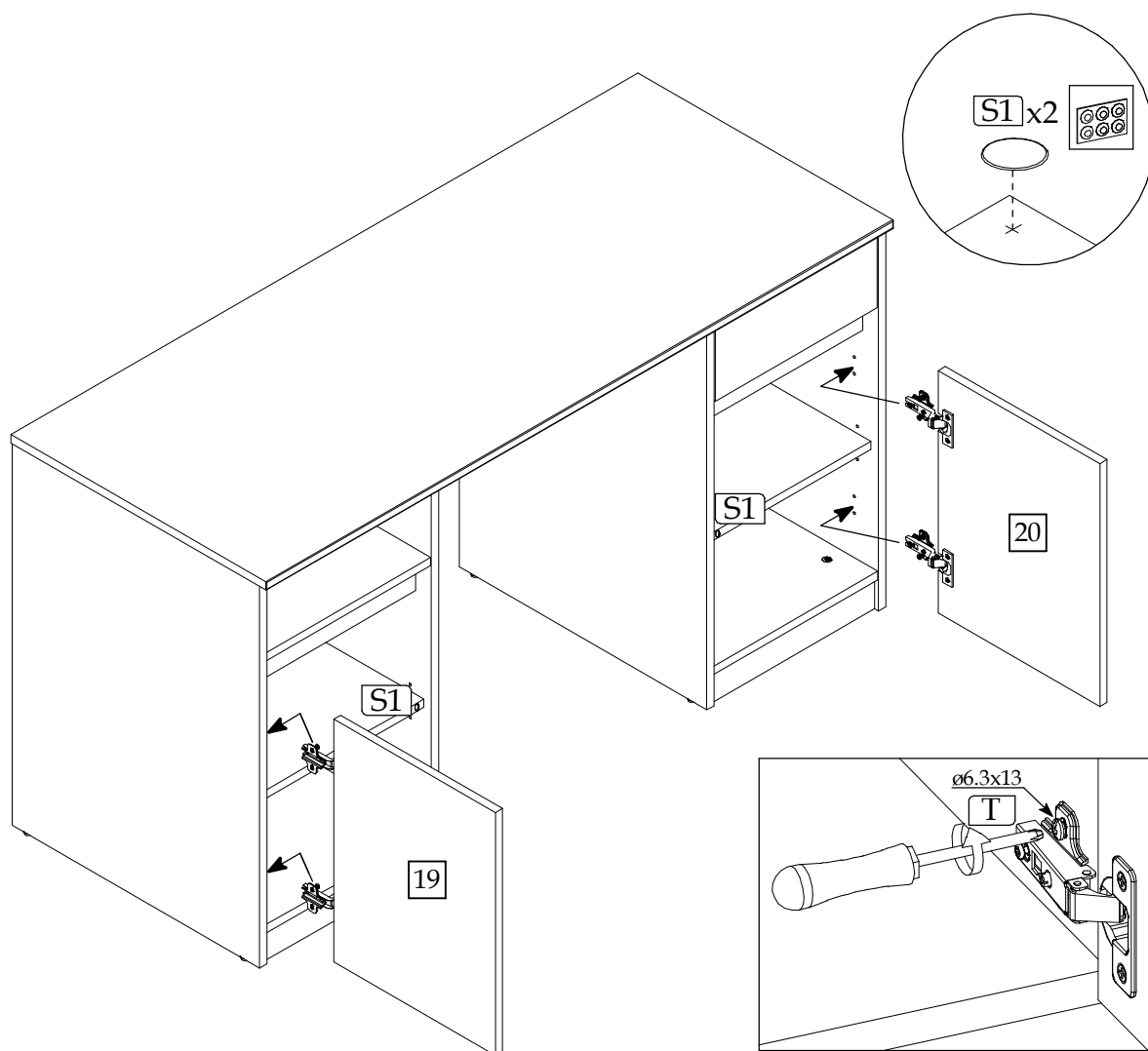
▶ 10



► 11



► 12



▶ 13

